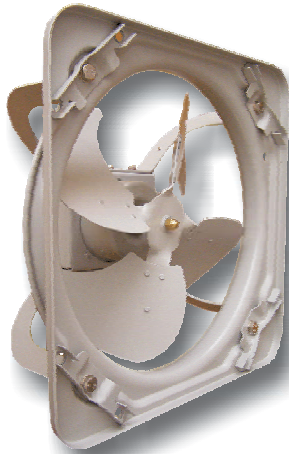


Plate Prop - Wall Mount FA Series



■ Features

As a wall mounted ventilating fan, the high exhaustion power can get rid of all kinds of foul and damp air. It is best fit for ventilating factories, warehouses, restaurants, kitchens and other locations where powerful ventilation is necessary.

■ Construction

The square plates and impellers are steel sheets with an epoxy polyester paint finish.

■ Motor

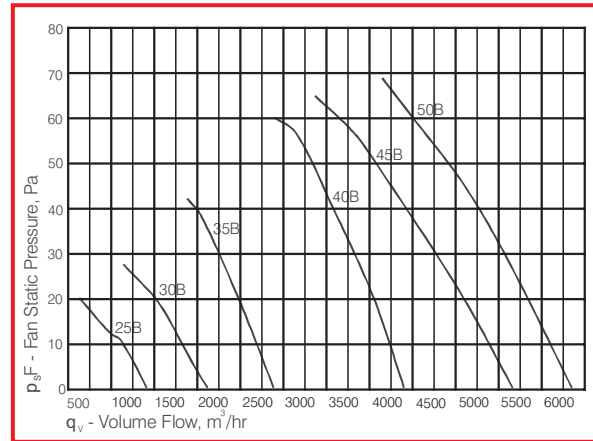
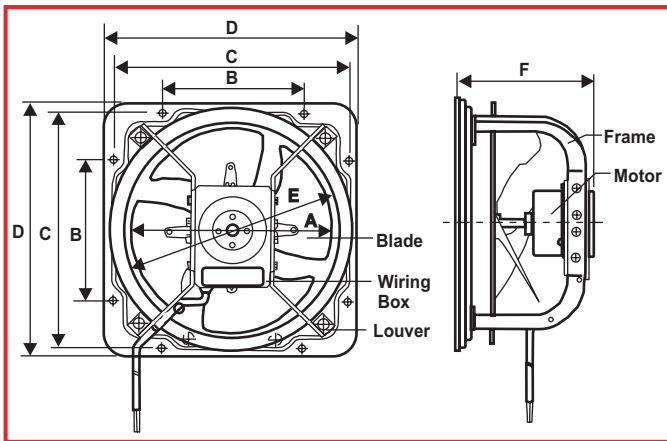
Type - squirrel cage induction motor.
Electricity supply - 220-240V, single or 415V, three-phase, 50Hz
Bearings - sealed-for-life, ball
Weatherproof to Ip44
Operating temperature range -20°C to +40°C

■ Wiring Diagram

Refer to manufacturer's data in package.



Kitchen Public area



■ Dimensions(mm)

Model	A	B	C	D	E	F
FA25B	250	204	300	328	270	150
FA30B	300	208	346	373	318	168
FA35B	350	270	416	450	385	185
FA40B	400	282	486	520	430	205

■ Technical data

Technical data							Package specification		
Model	mm	V	Hz	W	m ³ /h	(dB)	mm	set	kg
FA25B	250	220	50	45	1100	53	33.5x16.2x34.5	1	4.5
FA30B	300	220	50	75	1900	57	38.5x18.5x39.5	1	6
FA35B	350	220	50	135	2600	63	46.2x19.2x47.2	1	8
FA40B	400	220	50	160	4100	61	53x28.2x54	1	10.5