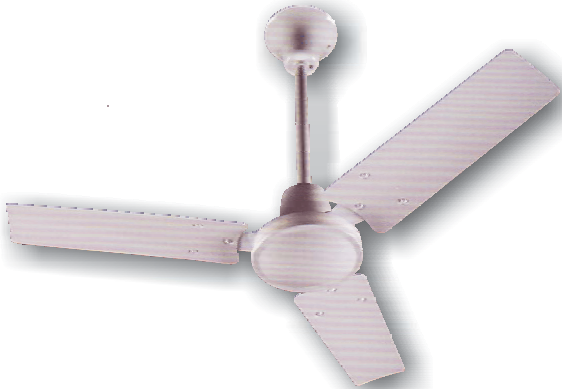


# Ceiling Fans CF56 Series



## ■ Features

White.  
Mounted with at least 2.35m of blade clearance from floor and all objects.

## ■ Wiring Diagram

Refer to manufacturer's data in package.



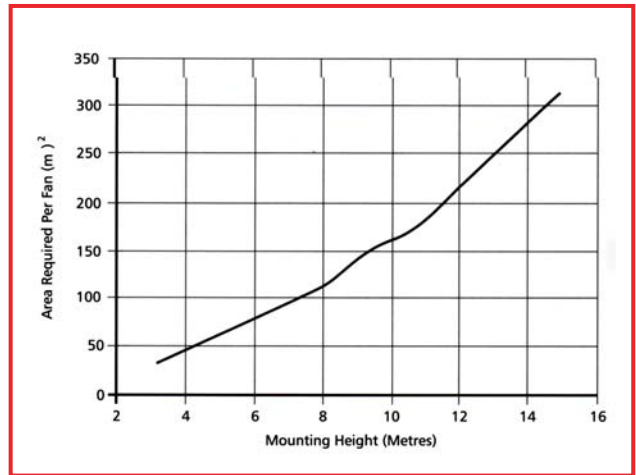
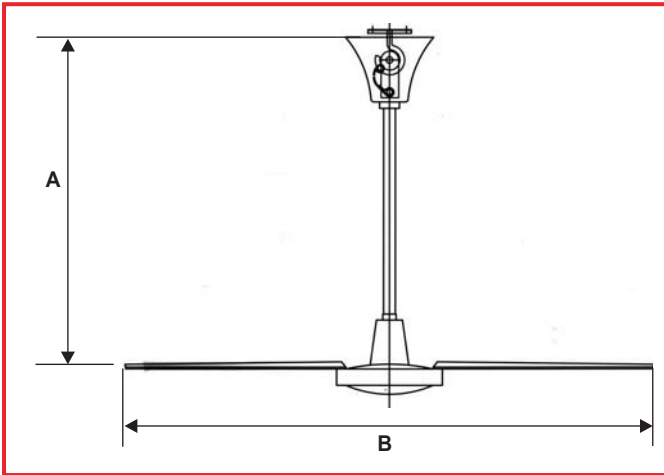
Home



Bedroom



Church



## ■ Dimensions(mm)

| Model | A   | B    |
|-------|-----|------|
| CF56  | 260 | 1422 |

## ■ Technical data

| Model | Weight Kg | Type of Bearing | Type of Motor      | V   | Hz | W  | r.p.m. | Amps | max m <sup>3</sup> /h |
|-------|-----------|-----------------|--------------------|-----|----|----|--------|------|-----------------------|
| CF56  | 5.0       | Ball            | Enclosed capacitor | 230 | 50 | 65 | 290    | 0.30 | 14112                 |

